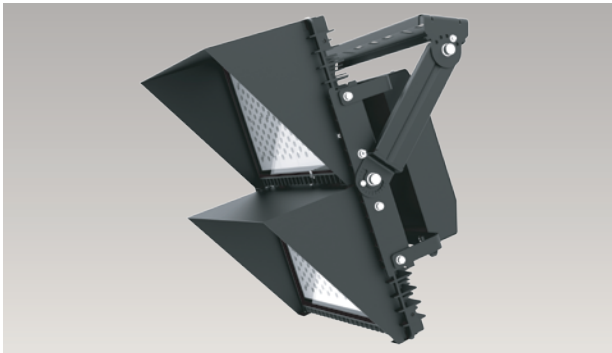


ADVANCED HIGH CEILING

Bolt Series - Outdoor/Natatorium Rating



High lumen compact modular luminaire with lumen output 13608 – 68340lm suited for sporting facilities.

- Outdoor/Natatorium Rating

Special coating, sealant, and wiring is applied for long term operation in harsh environments.

Standard version available, please refer to Standard spec sheet for more details.



Quantity		Type	
Project		Note	

Electrical System

- 16120lm (150W)
- 29274lm (220W)
- 34505lm (280W)
- 51306lm (440W)
- 68340lm (560W)
- Power Input: Universal (120-277V); HVT (347-480V)
- Operating Temperature: -40°F~104°F
- Surge Protection: 10KV

LED Technology

- 3000K, 4000K, 5000K
- 85 CRI, 75 CRI
- Beam Angle: 15°, 30°, 60°, 80° and 100° (with diffuser)
- Rated Life > 60,000 Hours (L70)

Advanced Dimming

(Proprietary VX Driver is incorporated to all dimming options for video flicker-free lighting)

- Standard 0-10V: dims to 10%

Housing

- Dimensions: 8.67" (220mm) x 14.96" (380mm) x 5.79" (147mm)
- Material: Die-Cast Aluminum, Tempered Glass
- Weight: 9.26lbs (BTS-150) / 17.64lbs (BTS-220) / 18.52lbs (BTS-280) / 48.5lbs (BTS-440/560)

Mounting

- Bracket

EPA

- BTS-150 / BTS-220 / BTS-280: 1.28 ft2
- BTS-440 / BTS-560: 2.37 ft2

Warranty

- 5 year limited warranty

Listing

- UL Wet Location Listed, IP65 Outdoor Rating
- DLC Listed
- FCC
- CE



Not all Bolt Series are DLC qualified. For all qualified products. Please visit: www.designlights.org/qpl

Bolt Series - Outdoor/Natatorium Rating



How To Specify:

Ordering Example: BTS-560-507-UNV-STV-15-BLK-BRK-WG-OUT

4-5 weeks lead time on over 75% of specifications.

Model	Wattage	CCT / CRI	Voltage	Dimming
BTS				
BTS Bolt Series	150 150W 220 220W 280 280W 440 440W 560 560W	308 3000K / CRI85 408 4000K / CRI85 507 5000K / CRI75	UNV 120-277V HVT 347-480V	STV Standard 0-10V dims to 10%

Beam Angle	Finish	Mounting	Accessories	Rating
15 15° 30 30° 60 60° 80 80° WD 100° (with diffuser)	BLK Black WHT White	BRK Bracket	WG ¹ Wire Guard GSB ² Glare Shield Baffle GSV ³ Glare Shield Visor DF ⁴ Diffuser SLP Slipfitter	OUT ¹ Outing Rating NAT ² Natatorium Rating

¹Please factor in change in lumen output of -14%.
²Please factor in change in lumen output of -40%.
³Please factor in change in lumen output of -25%.
⁴Please factor in change in lumen output with diffuser (-20% with DF).

¹ Outdoor rating: Coating and wiring will be changed to high UV resistant and corrosion resistant materials for long term operation in outdoor environments.
² Natatorium rating: Coating and sealant will be changed to high corrosion resistant materials to prevent damage from long term exposure to chlorine vapors.

* Please factor in change in lumen output with diffuser (-20% with WD).

DesignLights Consortium™ Qualified Luminaires:

DLC QPL Model Number : BTS-560-50K, BTS-150-CC7-UNV, BTS-220-CC7-UNV, BTS-280-CC7-UNV

Not all product variations listed on this page are DLC qualified.

To ensure that a specific model is qualified, visit www.designlights.org/search.

Bolt Series - Outdoor/Natatorium Rating



Delivered Lumens*

Wattage	150W	220W	280W	440W	560W
CCT	Beam Angle: 15°				
5000K	16120 lm	29274 lm	34505 lm	51306 lm	68340 lm
4000K	14256 lm	24486 lm	29160 lm	42930 lm	57240 lm
3000K	13608 lm	22896 lm	27324 lm	40174 lm	53530 lm

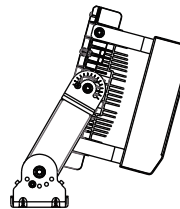
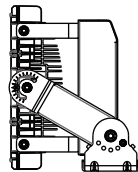
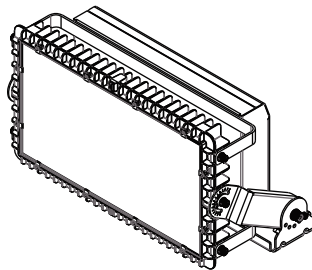
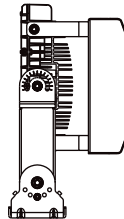
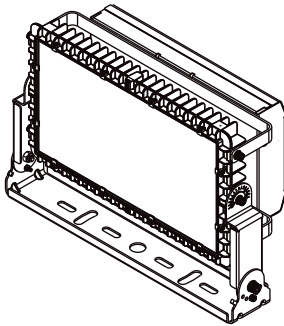
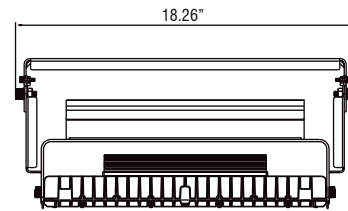
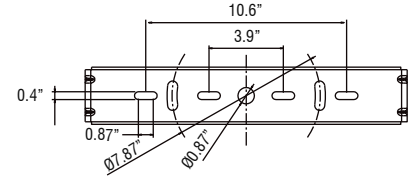
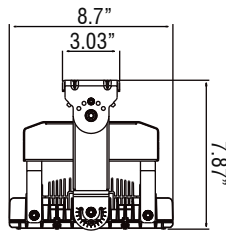
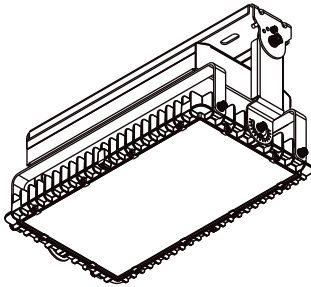
*Tolerance ± 8%

Current Consumption

Wattage	120V	277V
150W	1.38A	0.60A
220W	2.02A	0.87A
280W	2.57A	1.11A
440W	4.03A	1.75A
560W	5.13A	2.22A

Dimensions

150W / 220W / 280W

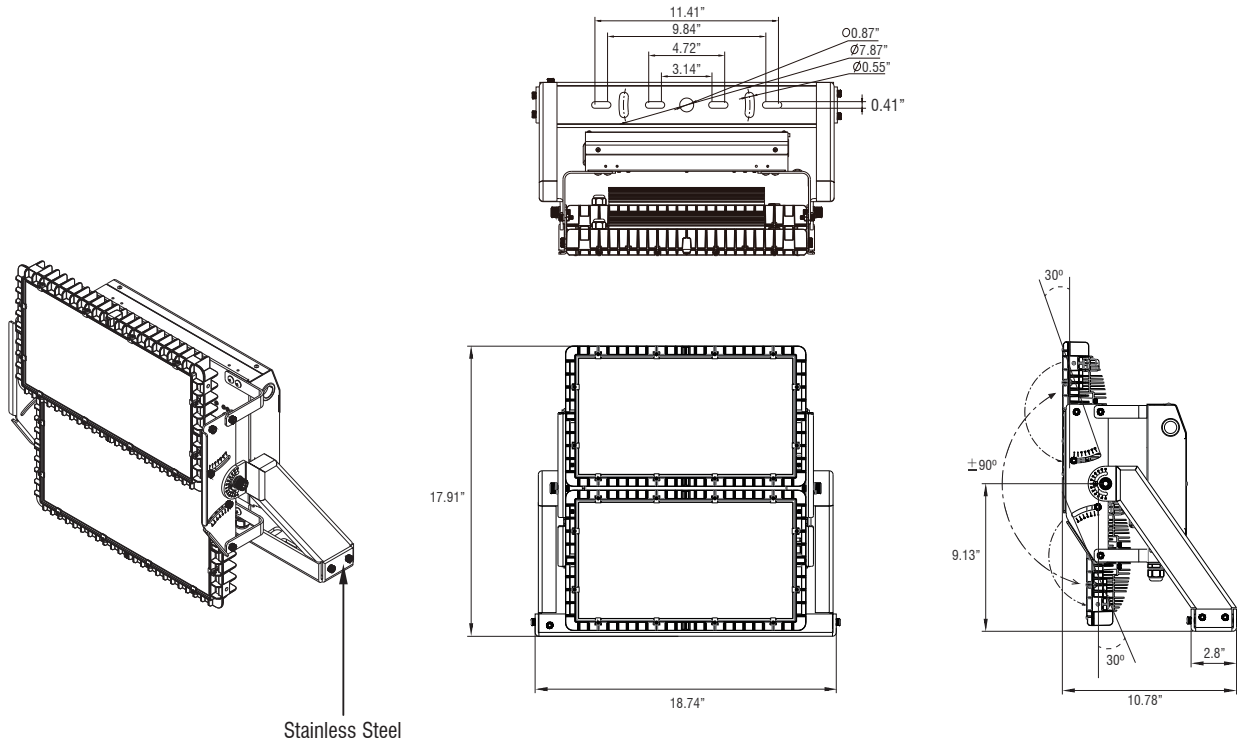


Bolt Series - Outdoor/Natatorium Rating



Dimensions

440W / 560W

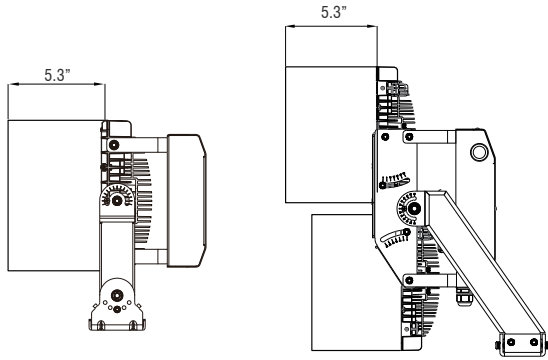


Bolt Series - Outdoor/Natatorium Rating

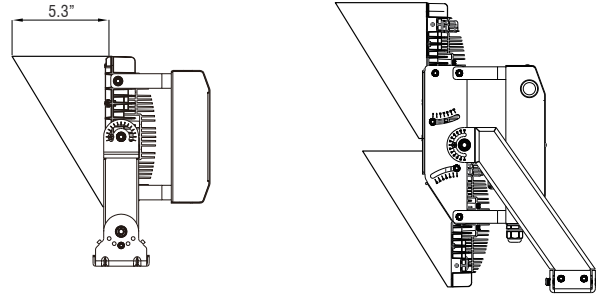


Accessory

Glare Shield Baffle



Glare Shield Visor



Slipfitter

